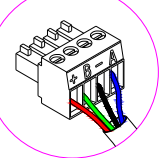
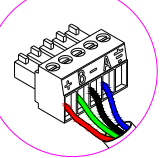
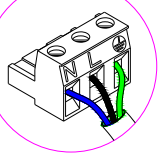
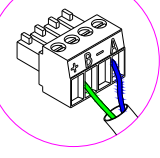
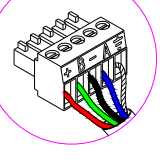
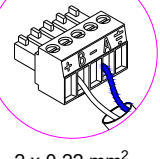
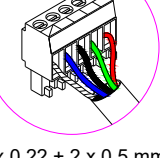
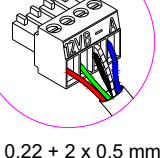



- 1  2 x 0.22 + 2 x 0.5 mm²
- 2  2 x 0.22 + 2 x 0.5 mm²
- 3  3 x 1.5 mm²
- 4  2 x 0.22 mm²
- 5  2 x 0.22 + 2 x 0.5 mm²
- 6  2 x 0.22 mm²
- 7  2 x 0.22 + 2 x 0.5 mm²
- 8  2 x 0.22 + 2 x 0.5 mm²

N Neutro | Neutral | Neutro | Neutre | Neutro
 L Fase | Phase | Fase | Phase | Fase
 Tierra | Ground | Terra | Terre | Terra

Auxiliary Heat 2nd Stage Output
 Auxiliary Heat 1st Stage Output

Gateway Connection